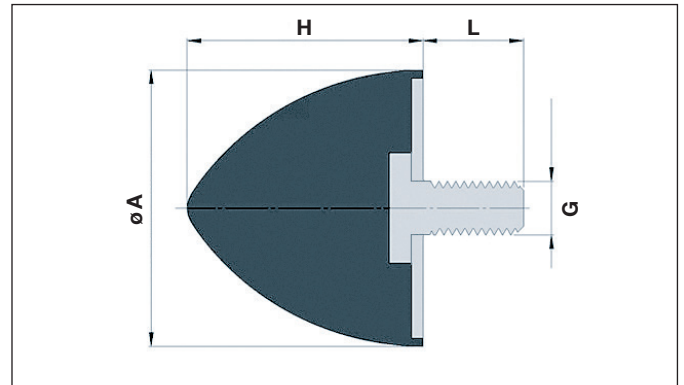
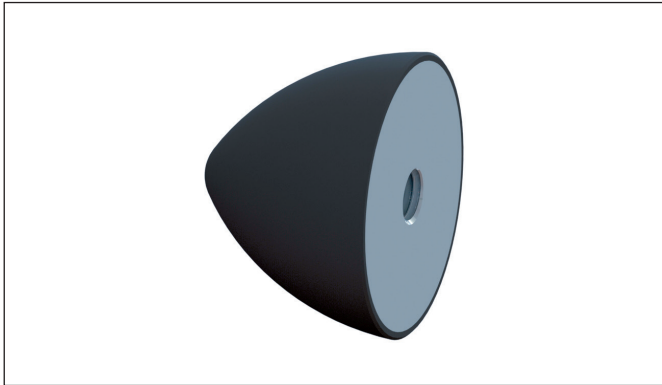


Rubber-Metal Buffer Type K

with one-sided internal thread



Product description

Buffers are characterised by their strength and robustness. The wide range of dimensions allows multiple options for usage.

Anwendung

Buffers are particularly suitable for elastic travel limiting and for cushioning impacts on mobile and non-mobile units, machines and generally as stops.

Benefits

- Effective dampening and cushioning of impacts
- Easy to install
- RoHS compliant

Operating temperature

- Natural Rubber (NR): – 50 °C until + 90 °C

Standard quality

Natural Rubber (NR)

Special qualities

- Nitrile-Butadiene Rubber (NBR)
 - Chloroprene Rubber (CR)
 - Fluoro Rubber (FPM)
 - Ethylene-Propylene-Diene-Rubber (EPDM)
 - Polyurethan (PUR)
 - Silicon
 - H-NBR
- More qualities on request

Metal parts

- Steel galvanized or chromated
- Steel blank from a diameter 100 mm upwards
- Alternative support members, e. g. Stainless steel, brass, aluminum, etc. available on request

øA	H	G	Shore	Pressure Stress		Shear Stress	
				Spring rate cz	max. rated load	Spring rate cz	max. rated load
mm	mm		A	N/mm	F max. *in N	N/mm	F max. *in N
20	15	M6	65	- *	- *	- *	- *
			55	- *	- *	- *	- *
			45	- *	- *	- *	- *
20	24	M6	65	- *	- *	- *	- *
			55	- *	- *	- *	- *
			45	- *	- *	- *	- *

ø A	H	G	Shore	Pressure Stress		Shear Stress	
				Spring rate cz	max. rated load	Spring rate cz	max. rated load
				N/mm	F max. *in N	N/mm	F max. *in N
25	19	M6	65	-*	-*	-*	-*
			55	-*	-*	-*	-*
			45	-*	-*	-*	-*
30	30	M8	65	-*	-*	-*	-*
			55	-*	-*	-*	-*
			45	-*	-*	-*	-*
30	36	M8	65	-*	-*	-*	-*
			55	-*	-*	-*	-*
			45	-*	-*	-*	-*
50	50	M10	65	-*	-*	-*	-*
			55	-*	-*	-*	-*
			45	-*	-*	-*	-*
50	58	M10	65	-*	-*	-*	-*
			55	-*	-*	-*	-*
			45	-*	-*	-*	-*
50	67	M8	65	-*	-*	-*	-*
			55	-*	-*	-*	-*
			45	-*	-*	-*	-*
50	68	M10	65	-*	-*	-*	-*
			55	-*	-*	-*	-*
			45	-*	-*	-*	-*
72	58	M12	65	-*	-*	-*	-*
			55	-*	-*	-*	-*
			45	-*	-*	-*	-*
75	89	M12	65	-*	-*	-*	-*
			55	-*	-*	-*	-*
			45	-*	-*	-*	-*
115	136	M16	65	-*	-*	-*	-*
			55	-*	-*	-*	-*
			45	-*	-*	-*	-*
165	195	M16	65	-*	-*	-*	-*
			55	-*	-*	-*	-*
			45	-*	-*	-*	-*

* No values have been determined / measured yet. The values will be added gradually.

If you need other buffers or other thread sizes than listed, please contact us directly.

Our applied technical advice, either oral, written or through tests is given according to our best knowledge. However, this information is to be considered as non-obligatory instruction, also in terms of any protective rights of a third party, and does not exempt you from testing our product in reference to its suitability for the intended process and purpose. Utilisation, application and processing of the products occur entirely outside of our control and are therefore exclusively your responsibility. However, should a case of liability come into question, it will be limited to all damages in the value of the product which we delivered and you used. By all means, we do warrant the impeccable quality of our products in accordance with our general sales and delivery conditions.