

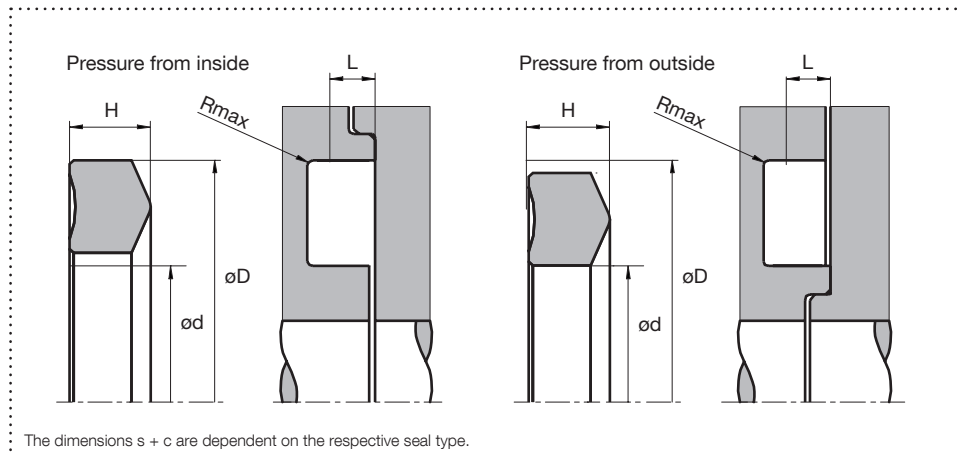


trygonal

# Rotary Seal TR35

acting axially

## Housing design



## Design

- Axially acting flange seal
- For static and light oscillating applications
- Is also O-ring replacement
- Can be used universally depending on material selection

## Application



Brightened symbols:  
Seal only for limited use.  
Please contact us.

## Surface finish

Roughness	Rtmax (µm)	Ra (µm)	Material portion
Sliding surface	≤ 2,5	0,1 – 0,5	Ratio contact area: 50 – 95% at a cutting depth of 0.5 x Rz starting from Cref = 0%
Groove base	≤ 6,3	≤ 1,6	
Groove flanks	≤ 15	≤ 3	

## Standard dimensions

OD (AS 568A <sup>1</sup> ) (mm)	OD (ISO 3601 <sup>2</sup> ) (mm)	NB (mm)	L (mm)	H (mm)
1,78	1,8	2	1,4	1,7
2,62	2,65	3	2,25	2,7
3,53	3,55	4	3,1	3,7
5,33	5,3	6	4,75	5,6
6,99	7	8	6,2	7,3

<sup>1</sup>American Standard <sup>2</sup>DIN 3771

## Material and application parameters

Sealing element	Temp. (°C)	max. sliding speed (m/s)	max. pressure
HPU premium	-30 – +110	only recommended for static applications	800 bar (80 MPa)
HPU diet	-20 – +110	only recommended for static applications	800 bar (80 MPa)
HPU lubric	-20 – +110	only recommended for static applications	800 bar (80 MPa)
HPU tajga	-50 – +110	only recommended for static applications	800 bar (80 MPa)
NBR standard	-30 – +100	only recommended for static applications	250 bar (25 MPa)
FPM diet br	-20 – +200	only recommended for static applications	250 bar (25 MPa)
EPDM spring	-50 – +150	only recommended for static applications	250 bar (25 MPa)
HNBR diet	-25 – +150	only recommended for static applications	250 bar (25 MPa)
AFLAS® standard	-10 – +200	only recommended for static applications	250 bar (25 MPa)
MVQ diet we	-60 – +200	only recommended for static applications	250 bar (25 MPa)

The specified application parameters are generally valid values and must not be used simultaneously with the application. An order can be placed by specifying the profile type, material and specified housing design dimensions.

Our applied technical advice, either oral, written or through tests is given according to our best knowledge. However, this information is to be considered as non-obligatory instruction, also in terms of any protective rights of a third party, and does not exempt you from testing our product in reference to its suitability for the intended process and purpose. Utilisation, application and processing of the products occur entirely outside of our control and are therefore exclusively your responsibility. However, should a case of liability come into question, it will be limited to all damages in the value of the product which we delivered and you used. By all means, we do warrant the impeccable quality of our products in accordance with our general sales and delivery conditions.