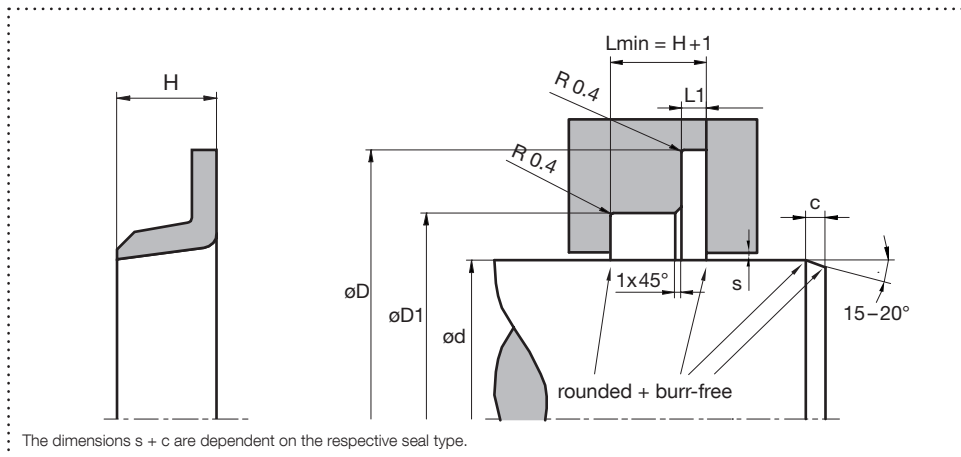




# Rod Seal TS16B

Hydraulics/Pneumatics, single acting

## Housing design



## Surface finish

Roughness	Rtmax (µm)	Ra (µm)	Material portion
Sliding surface	≤ 2,5	0,1 – 0,5	Ratio contact area: 50 – 95% at a cutting depth of 0.5 x Rz starting from Cref = 0%
Groove base	≤ 6,3	≤ 1,6	
Groove flanks	≤ 15	≤ 3	

## Standard dimensions

Smallest nominal inside diameter  $\varnothing d \geq 11\text{mm}$

This is not a standard profile and serves only as a replacement in already existing installation spaces. If possible, standard profiles should be used.

The permissible gap dimension depends on the seal material and the design of the seal. In order to guarantee the function, the gap dimension should be adapted to that of the guide.

## Material and application parameters

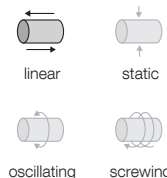
Sealing element	Temp. (°C)	max. sliding speed (m/s)		max. pressure <sup>1</sup>	
		linear	rotating	linear	rotating
HPU premium	-30 – +110	0,5	2	160 bar (16 MPa)	7 bar (0,7 MPa)
HPU diet	-20 – +110	0,5	2	160 bar (16 MPa)	7 bar (0,7 MPa)
HPU lubric	-20 – +110	0,7	2	160 bar (16 MPa)	7 bar (0,7 MPa)
HPU taiga	-50 – +110	0,5	2	160 bar (16 MPa)	7 bar (0,7 MPa)
NBR standard	-30 – +100	0,5	5	160 bar (16 MPa)	5 bar (0,5 MPa)
FPM diet br	-20 – +200	0,5	5	160 bar (16 MPa)	5 bar (0,5 MPa)
EPDM spring	-50 – +150	0,5	5	160 bar (16 MPa)	5 bar (0,5 MPa)
HNBR diet	-25 – +150	0,5	5	160 bar (16 MPa)	5 bar (0,5 MPa)
AFLAS® standard	-10 – +200	0,5	5	160 bar (16 MPa)	5 bar (0,5 MPa)

<sup>1</sup>Pressure values as a function of the gap dimension.

## Design

- Hat sleeve in twisted design
- For old pneumatics and hydraulics applications
- Is usually clamped with a flange
- Not recommended for new designs

## Application



Brightened symbols:  
Seal only for limited use.  
Please contact us.

Our applied technical advice, either oral, written or through tests is given according to our best knowledge. However, this information is to be considered as non-obligatory instruction, also in terms of any protective rights of a third party, and does not exempt you from testing our product in reference to its suitability for the intended process and purpose. Utilisation, application and processing of the products occur entirely outside of our control and are therefore exclusively your responsibility. However, should a case of liability come into question, it will be limited to all damages in the value of the product which we delivered and you used. By all means, we do warrant the impeccable quality of our products in accordance with our general sales and delivery conditions.